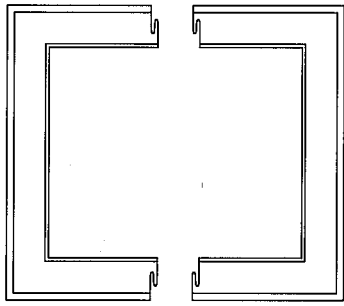
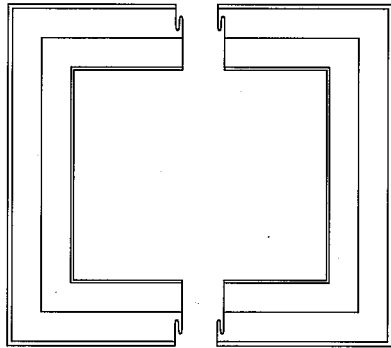
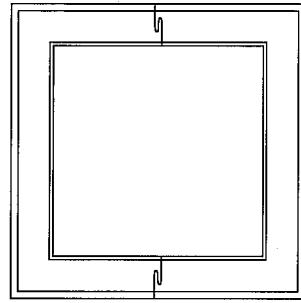


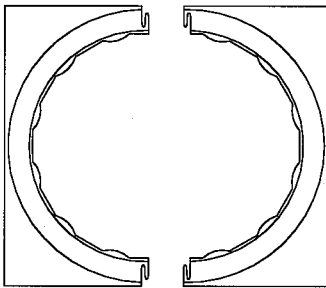
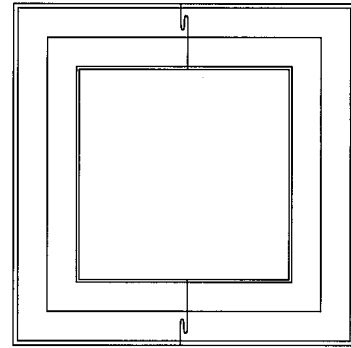
TWO HALF SECTIONS SEPARATE TWO HALF SECTIONS INTERLOCKED



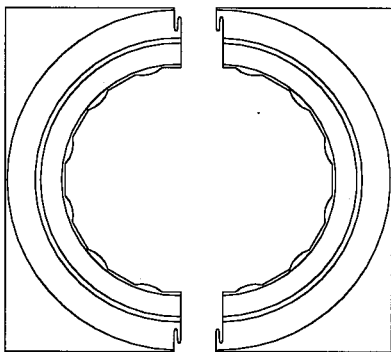
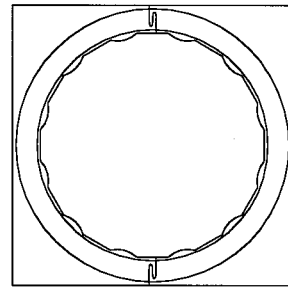
SQUARE STANDARD
CAP & BASE



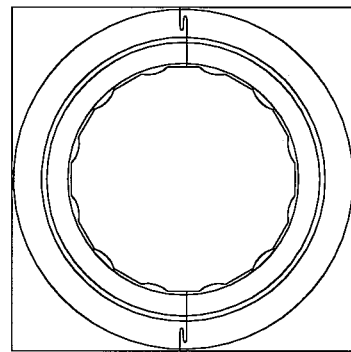
SQUARE DORIC
CAP & BASE



ROUND STANDARD
CAP & BASE



ROUND DORIC
CAP & BASE



Superior

**ALUMINUM
PRODUCTS INC.**

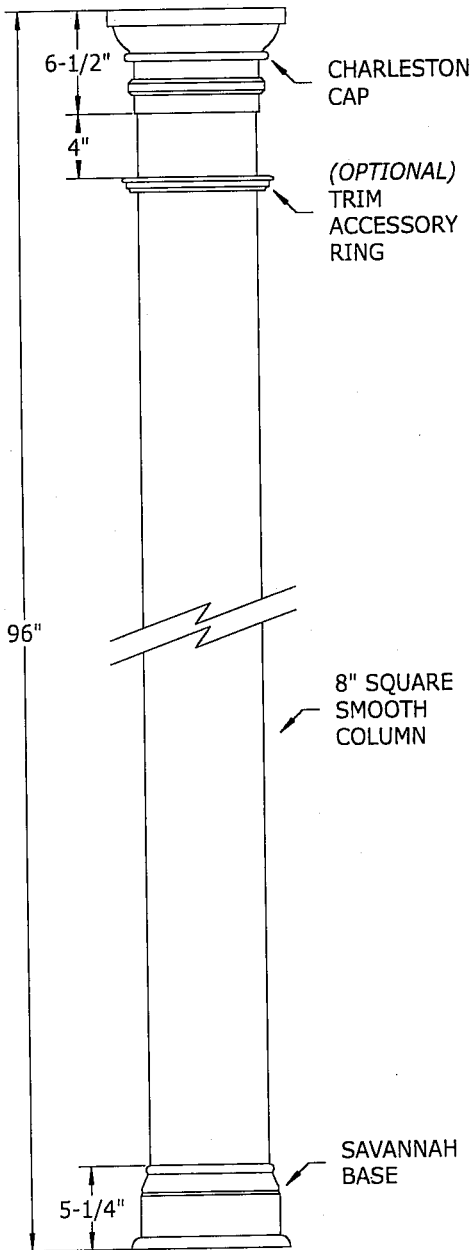
DESCRIPTION

PUZZLE LOCK DESIGN
WRAP-AROUND CAP & BASE

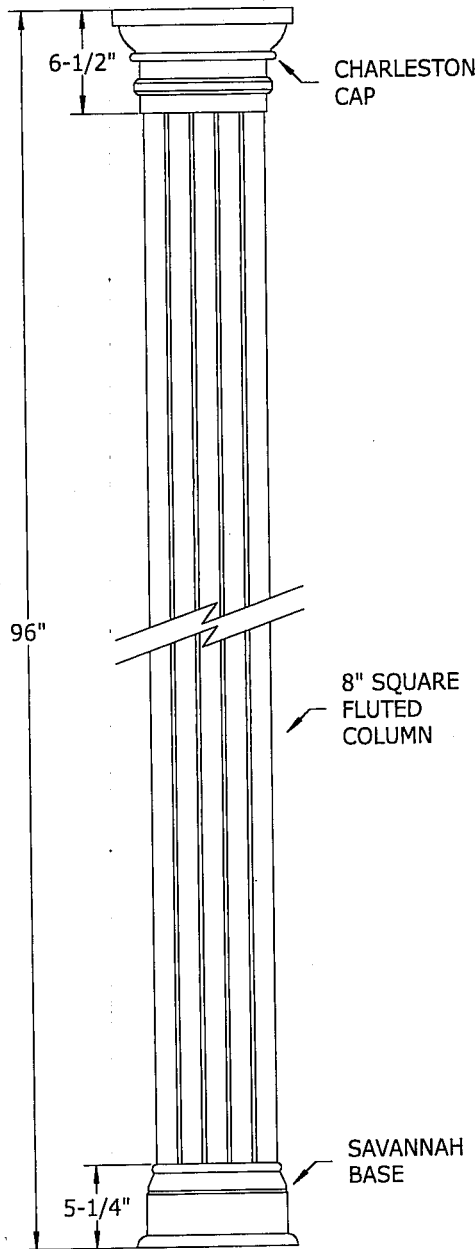
555 EAST MAIN STREET
P.O. BOX 430
RUSSIA, OHIO 45363

PH (937) 526-4065
FAX (937) 526-3904
www.superioraluminum.com

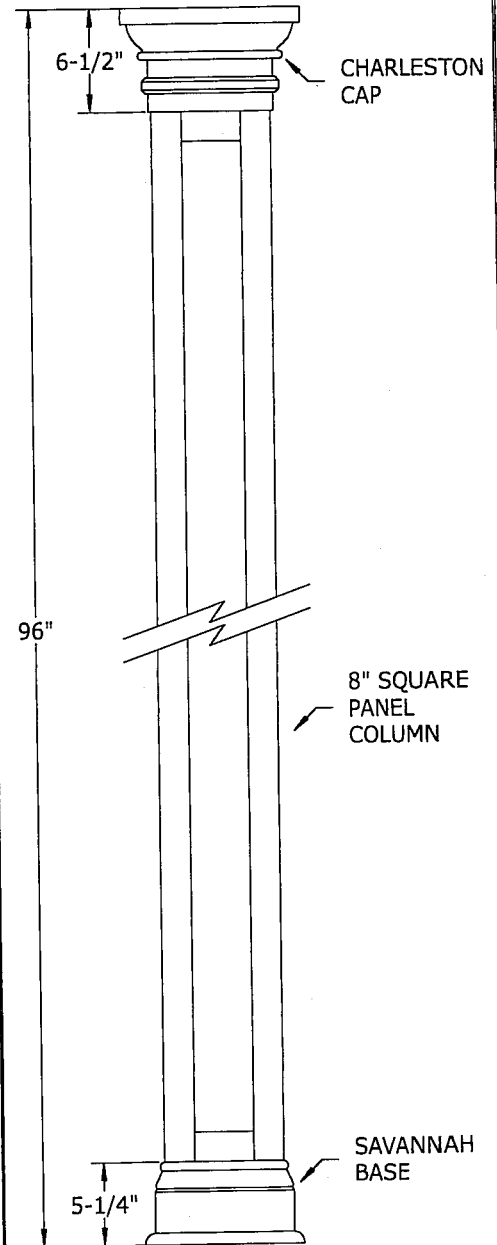
8" SQUARE x 8' TALL SMOOTH COLUMN
W/ CHARLESTON CAP, SAVANNAH BASE,
& TRIM ACCESSORY RING



8" SQUARE x 8' TALL FLUTED COLUMN
W/ CHARLESTON CAP,
& SAVANNAH BASE



8" SQUARE x 8' TALL PANEL COLUMN
W/ CHARLESTON CAP,
& SAVANNAH BASE



Superior ALUMINUM PRODUCTS INC.

555 EAST MAIN STREET
P.O. BOX 430
RUSSIA, OHIO 45363

DESCRIPTION
SHOWCASE
COLUMNS

PH (937) 526-4065
FAX (937) 526-3904
www.superioraluminum.com